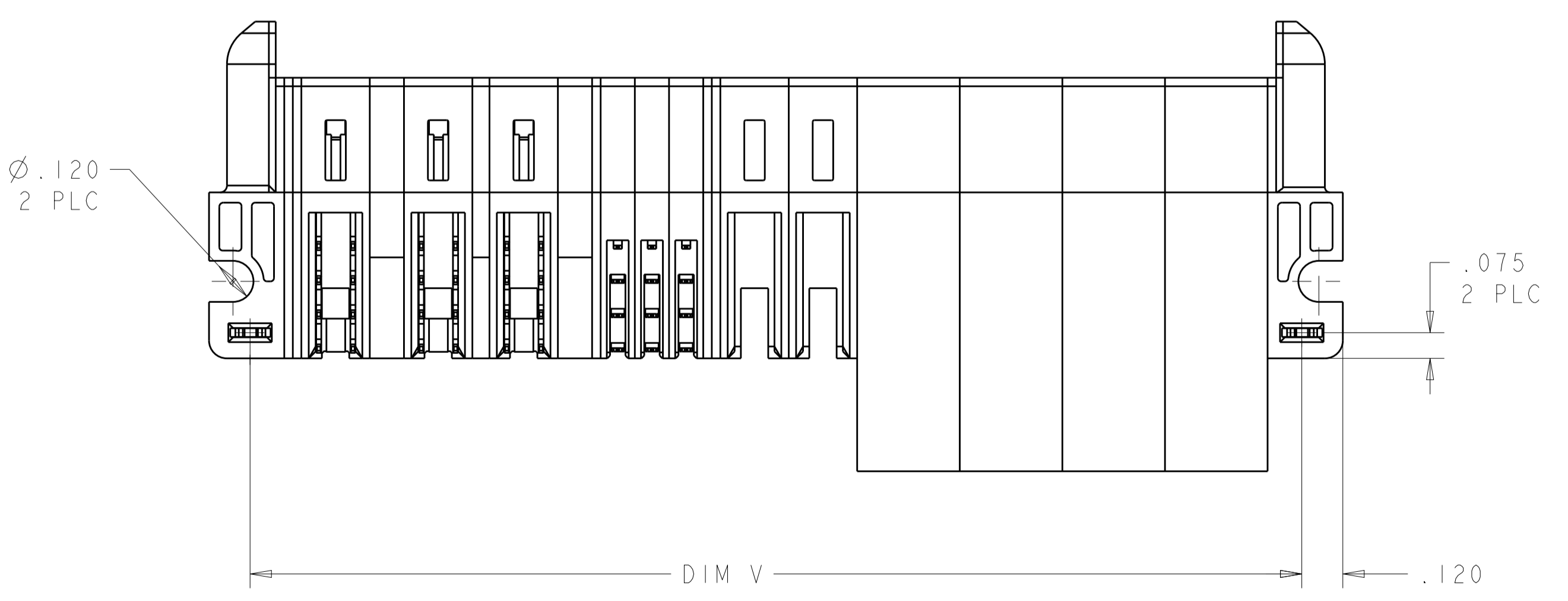
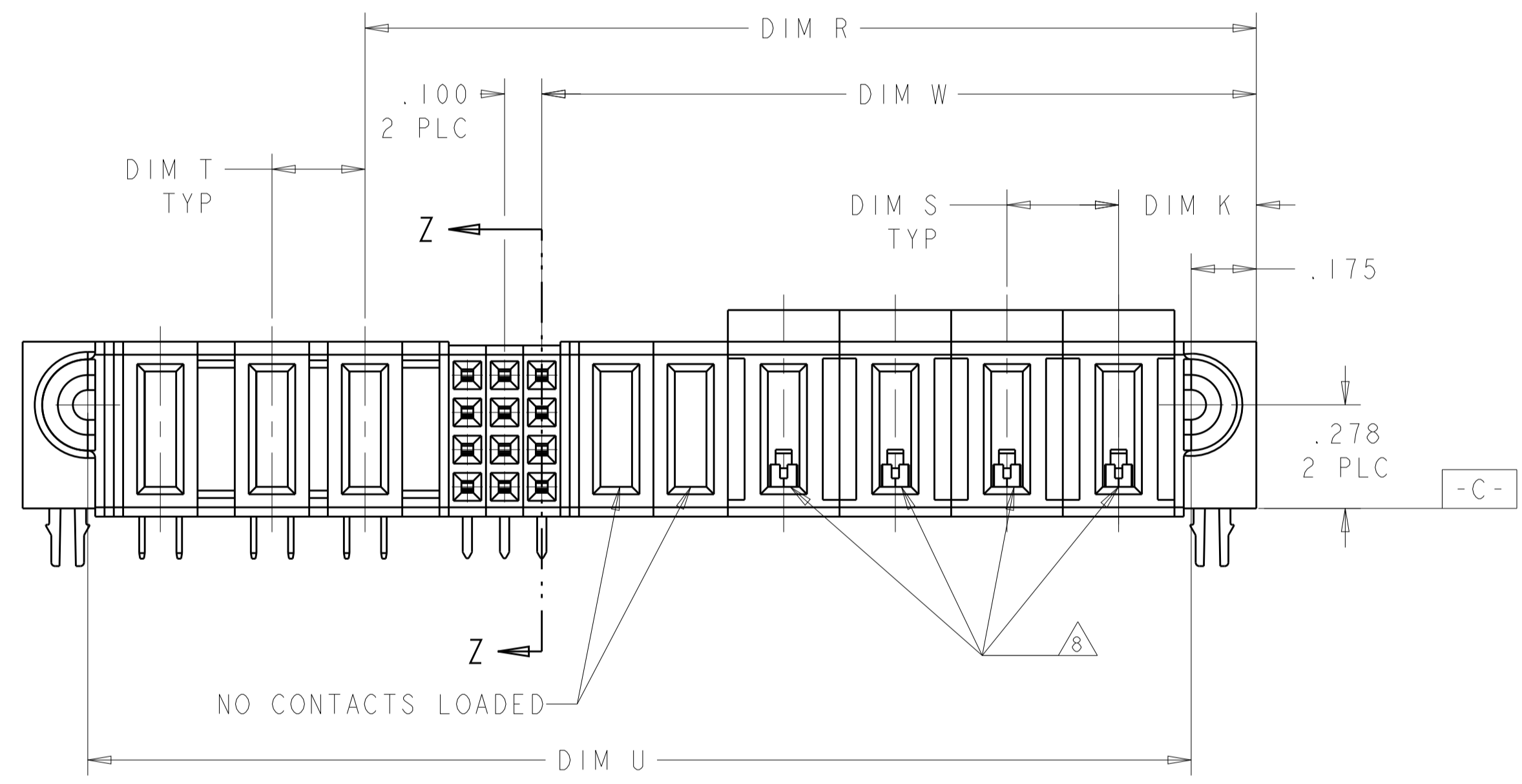
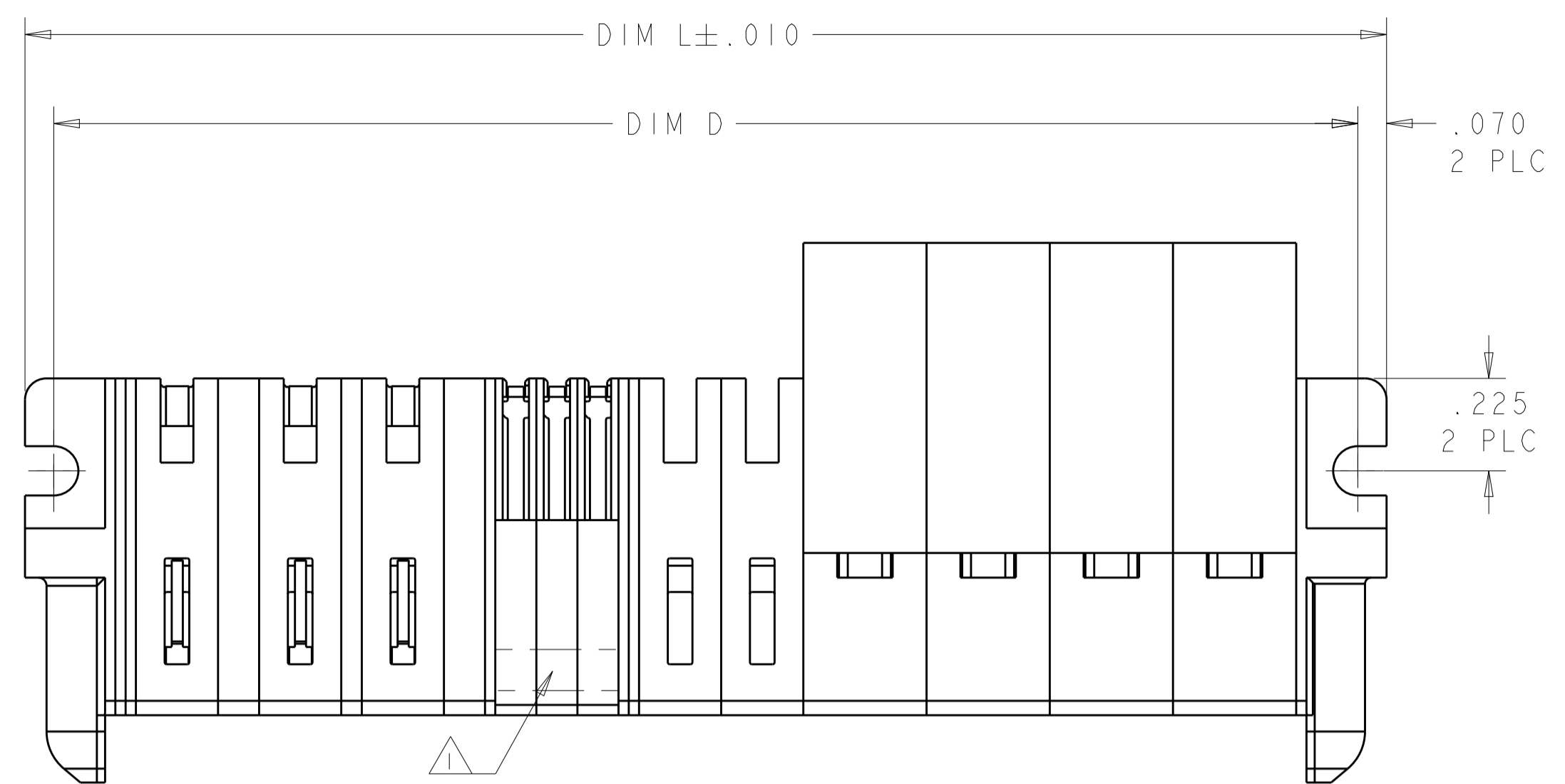
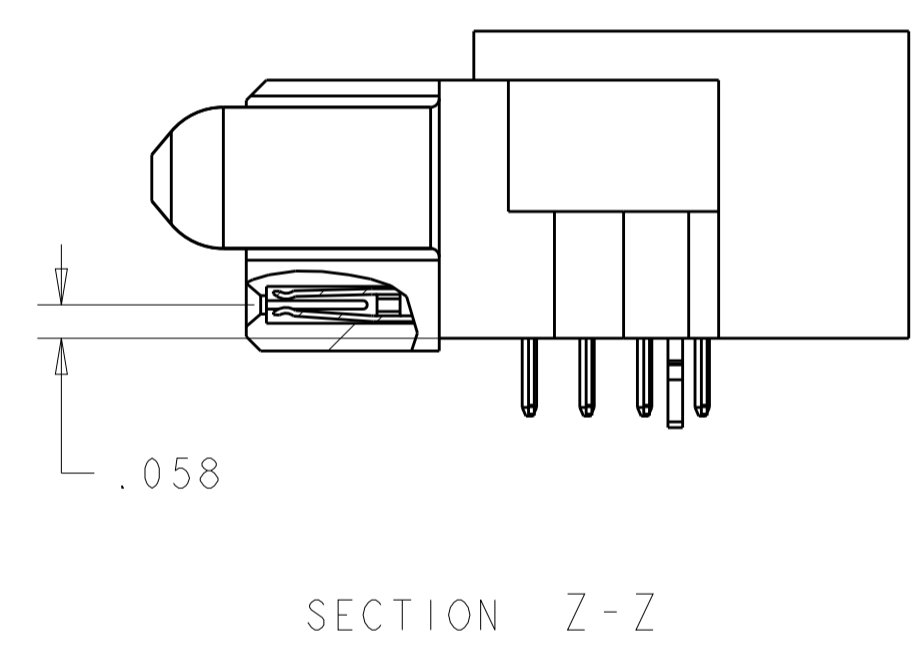
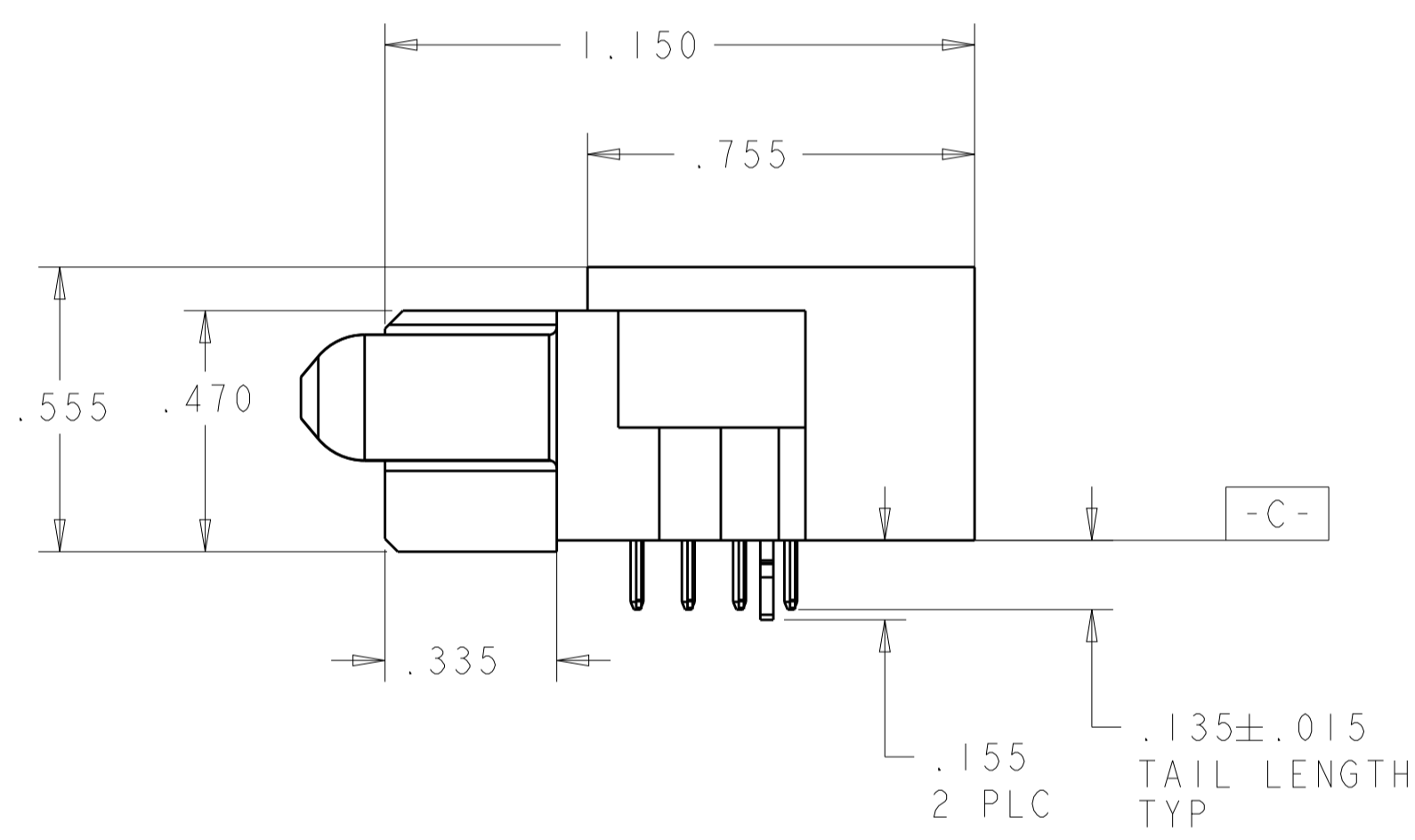


LOC	DIST	REVISIONS					
		P	LTN	DESCRIPTION	DATE	DWN	APVD
ES	00	B3		ADDED NEW DASH NUMBER -7	12SEP2016	CZ	SZ
		B4		ADDED NEW DASH NUMBER -8	29SEP2016	RS	SZ



- ⚠ "AMP", PART NUMBER, AND DATECODE TO BE MARKED IN AREA SHOWN. PARTS UNDER 2.00 LONG MAY BE MARKED ON BOTH SIDES.
- ⚠ MATERIAL: HOUSING - GLASS FILLED HIGH TEMP THERMO PLASTIC, BLACK, UL94 V-0
SIGNAL CONTACT - COPPER ALLOY
POWER CONTACT - HIGH CONDUCTIVITY COPPER ALLOY
- ⚠ CONTACT PLATING: NOBLE METAL PLATING ON CONTACT FUNCTIONAL AREA OF POWER AND SIGNAL CONTACTS.
- ⚠ MECHANICAL CONNECTOR KEEP OUT ZONE.
- ⚠ DATUM AND BASIC DIMENSIONS ESTABLISHED BY CUSTOMER.
- ⚠ PCB - HOLE DIAMETERS ARE FINISHED HOLE SIZE.
- ⚠ PCB - .0453±.0010 DRILLED HOLES PLATED WITH .0003 MIN Sn OVER .001 TO .003 Cu PLATING TO ACHIEVE A .040 DIA HOLE.
- ⚠ A/C POWER CABLE CONTACT LOADED IN THESE CAVITIES.
- ⚠ VARIABLE DIMENSIONS PLEASE SEE PART TABLE.



PROPOSED PART

-	-	⚠	5.290	5.050	4.940	5.150	4.420	.370	3ACP + 12P + 28S	6450874-8
-	-	⚠	5.290	5.050	4.940	5.150	4.420	.370	3ACP + 12P + 28S	6450874-7
-	-	⚠	4.015	3.775	3.665	3.875	3.445	.370	3ACP + 9P + 16S	6450874-6
-	-	⚠	4.015	3.775	3.665	3.875	3.445	.370	3ACP + 9P + 16S	6450874-5
-	-	⚠	5.290	5.050	4.940	5.150	4.420	.370	3ACP + 12P + 28S	6450874-4
-	-	⚠	2.965	2.725	2.615	2.825	2.195	.370	3ACP + 4P + 24S	6450874-3
-	-	⚠	5.290	5.050	4.940	5.150	4.420	.370	3ACP + 12P + 28S	6450874-2
⚠	2.395	.300	3.315	3.075	2.965	3.175	1.920	.370	4ACP + 12S + 3P	6450874-1
DIM T	DIM R	DIM S	DIM L	DIM V	DIM U	DIM D	DIM W	DIM K	DESCRIPTION	PART NUMBER

THIS DRAWING IS A CONTROLLED DOCUMENT. DWN: C. ZHOU 02JUN2009
CHK: S. ZHAO 02JUN2009

DIMENSIONS: INCHES(MM)
TOLERANCES UNLESS OTHERWISE SPECIFIED:
0 PLC ±.
1 PLC ±.01
2 PLC ±.01
3 PLC ±.005
4 PLC ±.0020
ANGLES ±.07°

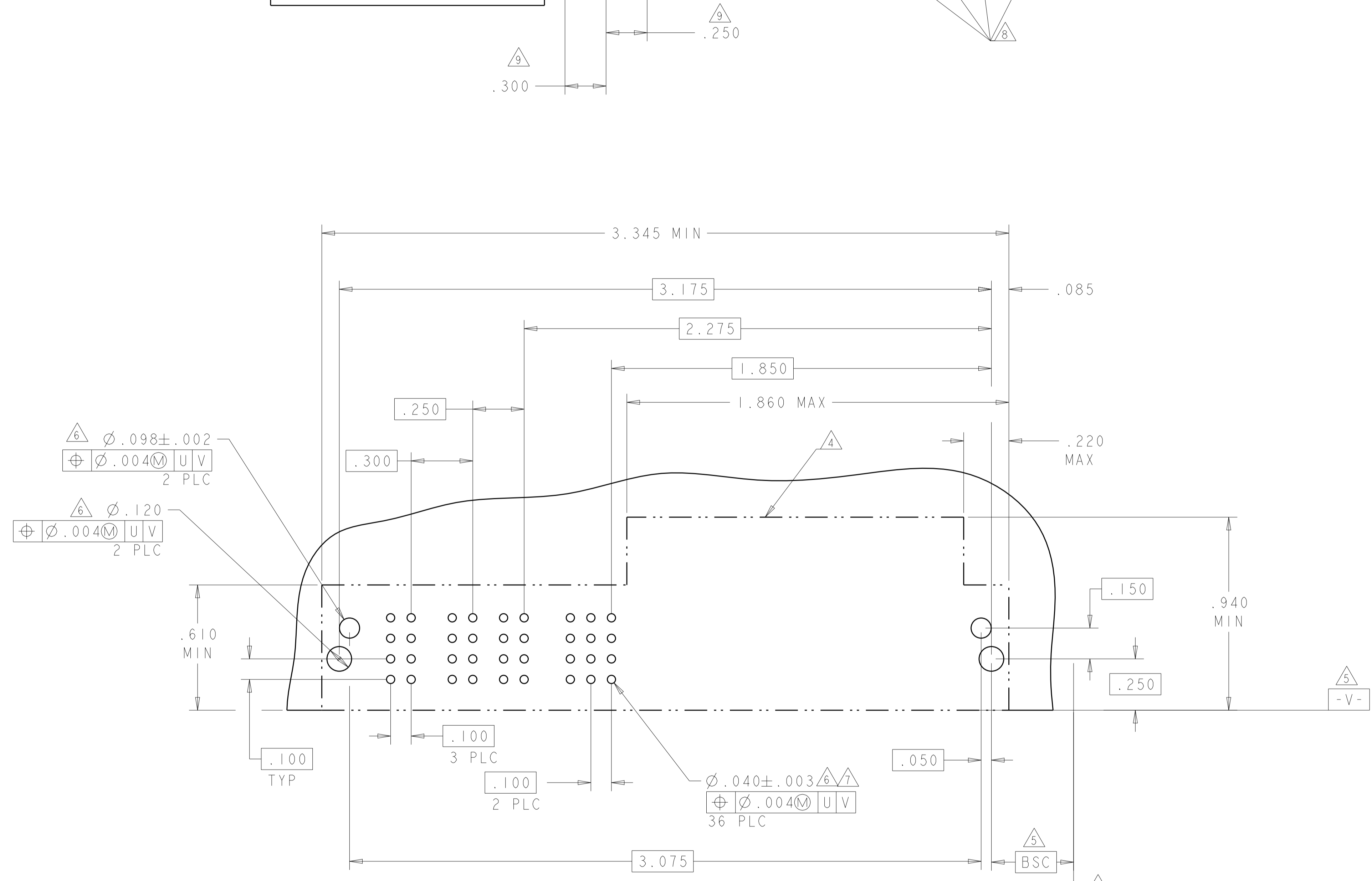
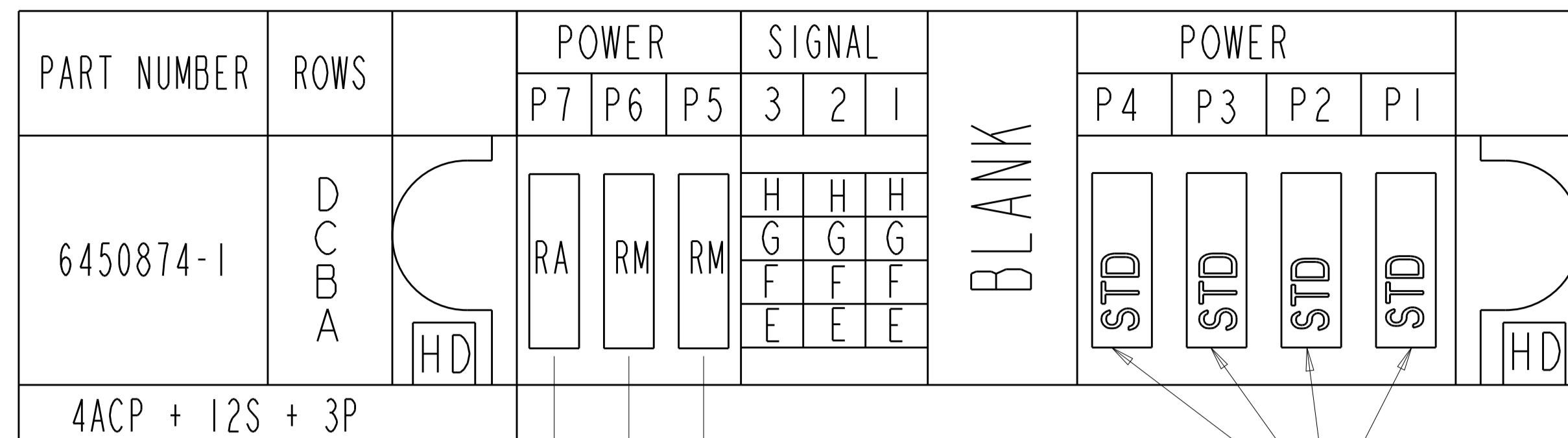
MATERIAL: FINISH:

APVD: S. YAO
NAME: S. YAO
PRODUCT SPEC: 108-2292
APPLICATION SPEC: 114-13038
WEIGHT: -
CUSTOMER DRAWING

STE TE Connectivity
RIGHT ANGLE RECEPTACLE ASSEMBLY
A/C PASS THRU W/SLIM GUIDES
MULTI-BEAM XLE

SIZE: A1
CAGE CODE: 100779
DRAWING NO: 6450874
SCALE: 3:1
SHEET: 1 of 8
REV: B4

LOC	DIST	REVISIONS			
P	LTN	DESCRIPTION	DATE	DMN	APVD
-	-	SEE SHEET 1	-	-	-



RECOMMENDED PCB LAYOUT

STANDARD SIGNAL CONTACT, .135 TAIL LENGTH, ROW D	H
STANDARD SIGNAL CONTACT, .135 TAIL LENGTH, ROW C	G
STANDARD SIGNAL CONTACT, .135 TAIL LENGTH, ROW B	F
STANDARD SIGNAL CONTACT, .135 TAIL LENGTH, ROW A	E
MFBL POWER CONTACT, .135 TAIL LENGTH	RA
STD POWER CONTACT, .135 TAIL LENGTH	RM
HOLD DOWN	HD
DESCRIPTION	IDENTIFIER

THIS DRAWING IS A CONTROLLED DOCUMENT.

DWN	C. ZHOU	02JUN2009	TE Connectivity
CHK	S. ZHAO	02JUN2009	
APVD	S. YAO	-	NAME
DIMENSIONS: INCHES[MM]			PRODUCT SPEC
TOLERANCES UNLESS OTHERWISE SPECIFIED:			APPLICATION SPEC
0 PLC	±		SIZE
1 PLC	±.01		CAGE CODE
2 PLC	±.01		DRAWING NO
3 PLC	±.005		RESTRICTED TO
4 PLC	±.0020		A100779
ANGLES	±.0020		6450874
FINISH	±.0020		SCALE
MATERIAL	-		3:1
			SHEET 2 OF 8
			REV B4

CUSTOMER DRAWING

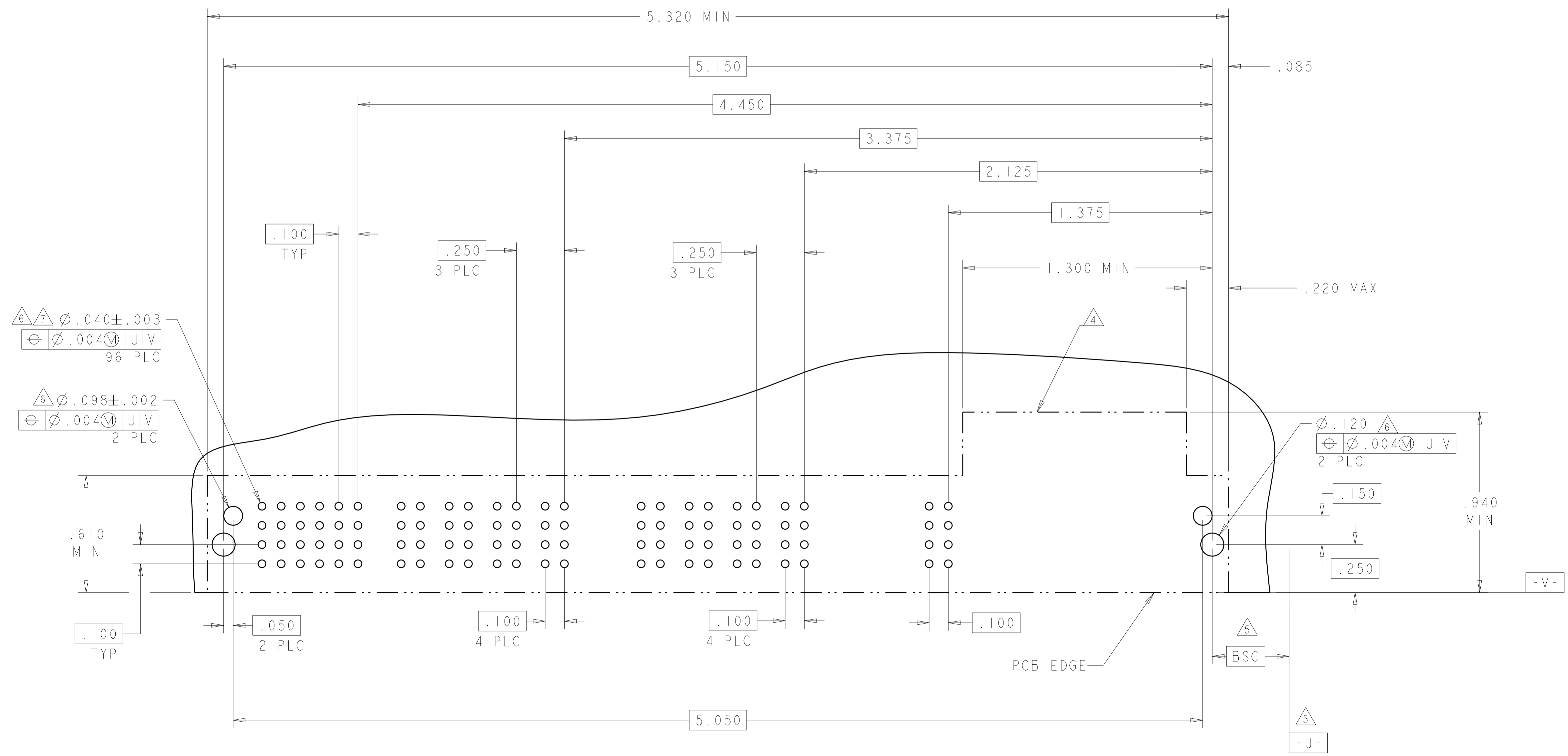
LOC		DIST		REVISIONS			
P	LTN	DESCRIPTION	DATE	DMN	APVD		
-	-	SEE SHEET 1	-	-	-		

PART NUMBER	ROWS	SIGNAL							POWER														
		7	6	5	4	3	2	1	PI5	PI4	PI3	PI2	PI1	PI0	P9	P8	P7	P6	P5	P4	P3	P2	PI
6450874-2	D C B A	H	H	H	H	H	H		RM	RM	RM	RM		RM	RM	RM	RM		RA	STD	STD	STD	
		G	G	G	G	G	G																
		F	F	F	F	F	F																
		E	E	E	E	E	E																

PART NUMBER	ROWS	SIGNAL							POWER														
		7	6	5	4	3	2	1	PI5	PI4	PI3	PI2	PI1	PI0	P9	P8	P7	P6	P5	P4	P3	P2	PI
6450874-4	D C B A	H	H	H	H	H	H		RM	RM	RM	RM		RM	RM	RM	RM		RA	MLBF	STD	MFBL	
		G	G	G	G	G	G																
		F	F	F	F	F	F																
		E	E	E	E	E	E																

NO CONTACTS LOADED
 NO CONTACTS LOADED
 .250 11 PLC
 .375 3 PLC

SAME AS 6450874-2 EXCEPT POWER SEQUENCE

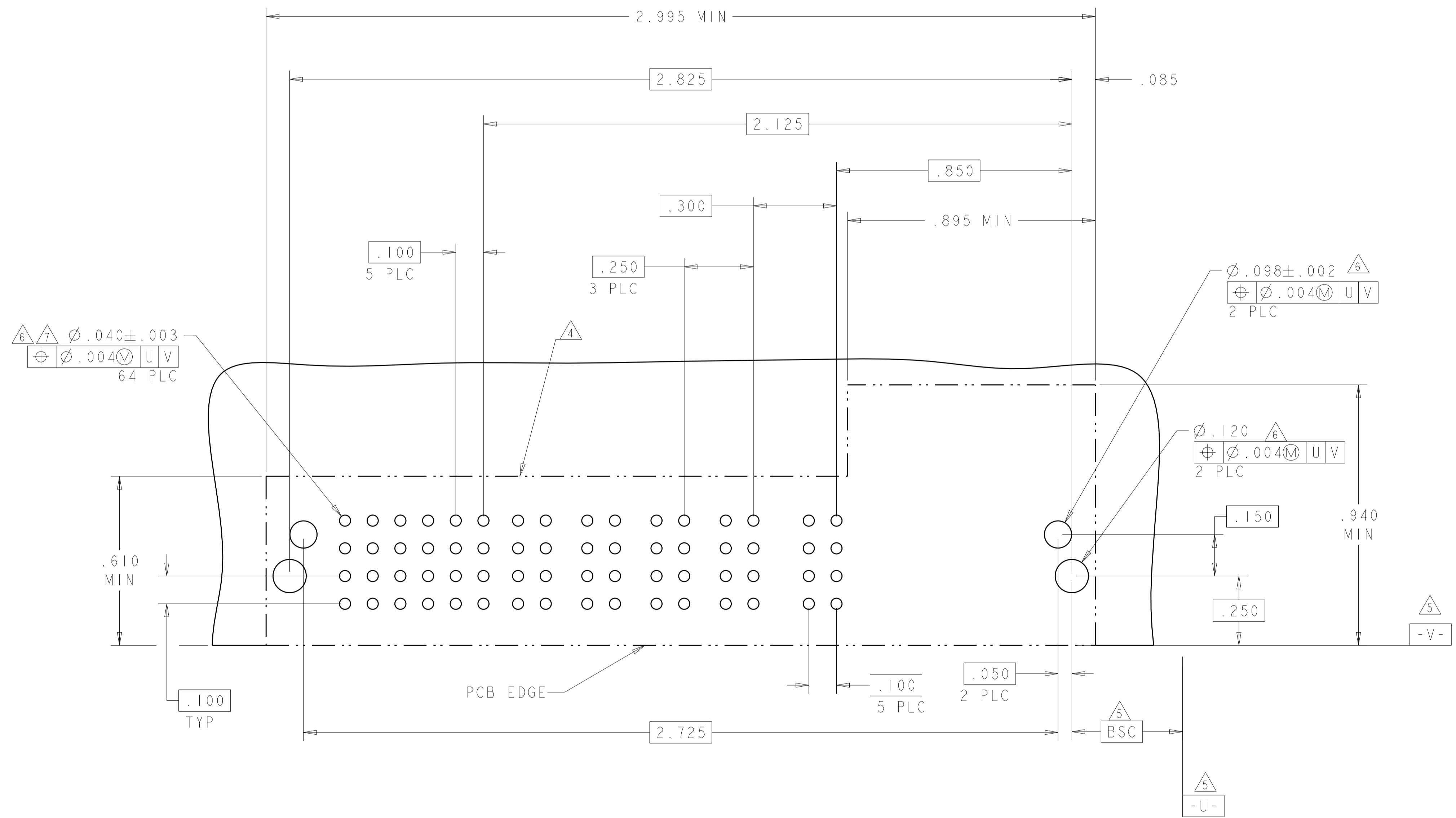
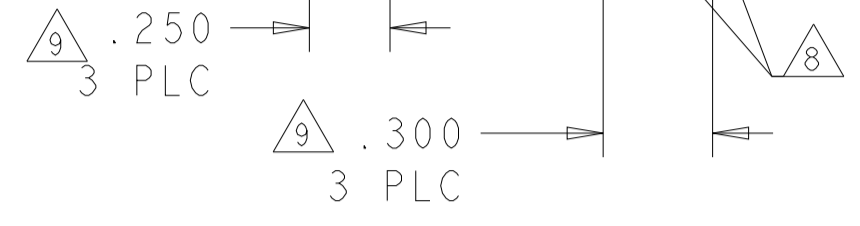


RECOMMENDED PCB LAYOUT

THIS DRAWING IS A CONTROLLED DOCUMENT.		DMN C. ZHOU CHK S. ZHAO	02JUN2009 02JUN2009	TE Connectivity
DIMENSIONS: INCHES(MM)		TOLERANCES UNLESS OTHERWISE SPECIFIED:		
0 PLC ± 1 PLC ±.01 2 PLC ±.01 3 PLC ±.005 4 PLC ±.002 ANGLES ±.020		APVD S. YAO		NAME RIGHT ANGLE RECEPTACLE ASSEMBLY A/C PASS THRU W/SLIM GUIDES MULTI-BEAM XLE
MATERIAL		FINISH		PRODUCT SPEC 108-2292 APPLICATION SPEC 114-13038
-		-		SIZE A100779C=6450874
-		-		RESTRICTED TO CUSTOMER DRAWING
-		-		SCALE 3:1 SHEET 3 OF 8 REV B4

LOC	DIST	REVISIONS			
P	LTN	DESCRIPTION	DATE	DWN	APVD
-	-	SEE SHEET 1	-	-	-

PART NUMBER	ROWS	SIGNAL							POWER						
		6	5	4	3	2	1	P7	P6	P5	P4	P3	P2	P1	
6450874-3	DCBA	H	H	H	H	H	H	RM	RM	RM	RM	RA	STD	STD	
		G	G	G	G	G	G								
		F	F	F	F	F	F								
3ACP + 4P + 24S		E	E	E	E	E	E								

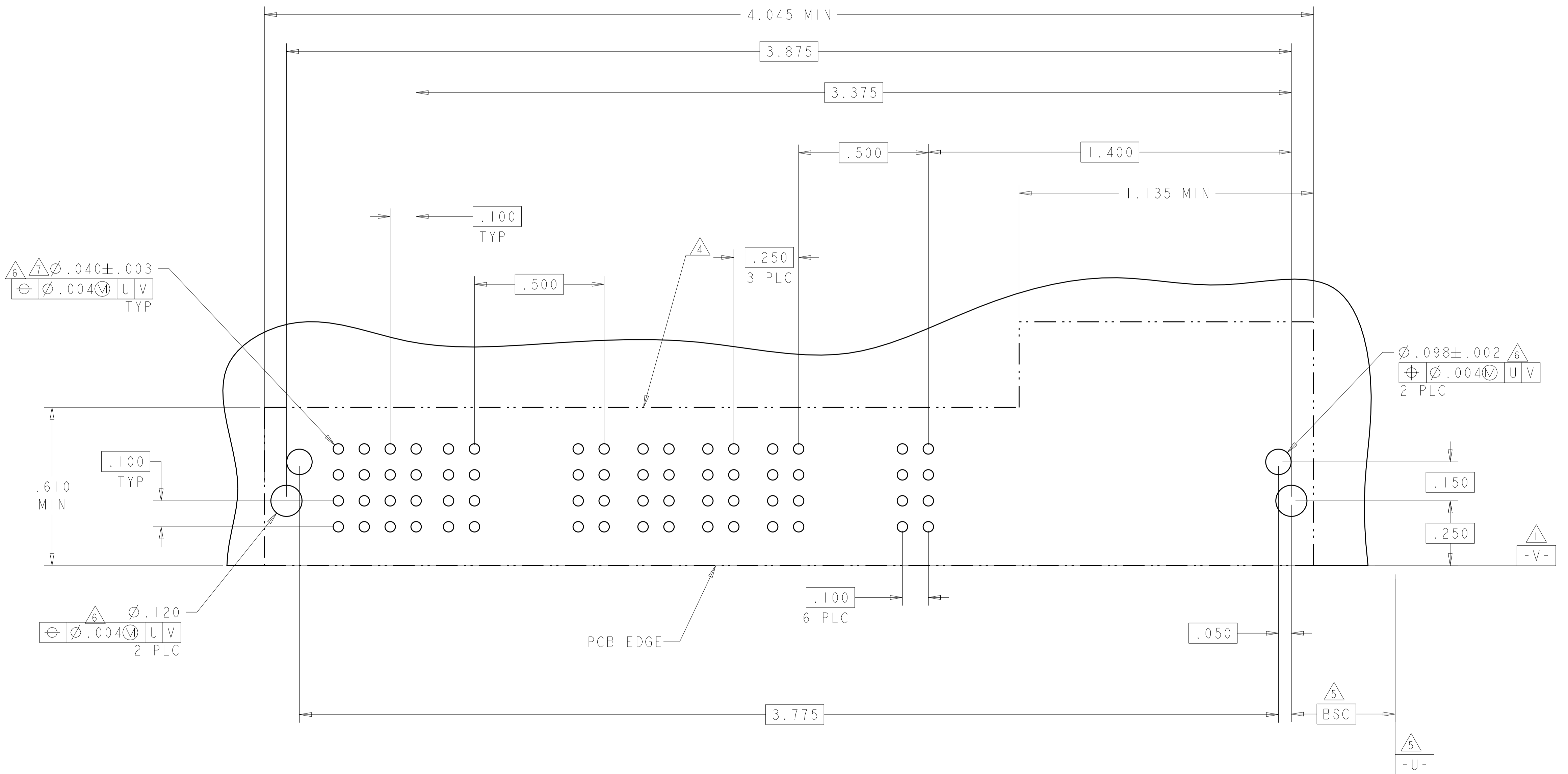
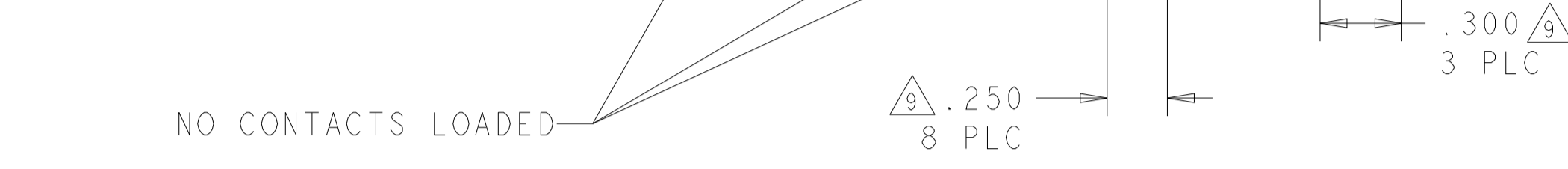


RECOMMENDED PCB LAYOUT

THIS DRAWING IS A CONTROLLED DOCUMENT.		DWN: C.ZHOU 02JUN2009	TE Connectivity
DIMENSIONS: INCHES(MM)		CHK: S.ZHAO 02JUN2009	
TOLERANCES UNLESS OTHERWISE SPECIFIED: 0 PLC ±. 1 PLC ±.01 2 PLC ±.01 3 PLC ±.005 4 PLC ±.0020 ANGLES ±.2°		APVD: S.YAO	NAME: RIGHT ANGLE RECEPTACLE ASSEMBLY
MATERIAL: -		FINISH: -	PRODUCT SPEC: 108-2292
SCALE: 3:1		APPROVAL: A100779	APPLICATION SPEC: 114-13038
SHEET: 4 OF 8		REV: B4	RESTRICTED TO: -
CUSTOMER DRAWING		SCALE: 3:1	SIZE: C=6450874

LOC	DIST	REVISIONS			
P	LTN	DESCRIPTION	DATE	DMN	APVD
-	-	SEE SHEET 1	-	-	-

PART NUMBER	ROWS	SIGNAL				POWER											
		4	3	2	1	PI2	PI1	PI0	P9	P8	P7	P6	P5	P4	P3	P2	PI
6450874-5	D	H	H	H	H	RM	RM	RM	RM	RM	RM	RM	RM	RM	STD	STD	HD
	C	G	G	G	G												
	B	F	F	F	F												
	A	E	E	E	E												



THIS DRAWING IS A CONTROLLED DOCUMENT. DWN: C.ZHOU 02JUN2009, CHK: S.ZHAO 02JUN2009, APVD: S.YAO

TE Connectivity

RIGHT ANGLE RECEPTACLE ASSEMBLY
A/C PASS THRU W/SLIM GUIDES
MULTI-BEAM XLE

108-2292
114-13038

100779C=6450874

SCALE 3:1 SHEET 5 OF 8 REV B4

DIMENSIONS:	TOLERANCES UNLESS OTHERWISE SPECIFIED:
INCHES[MM]	0 PLC ±.01
	1 PLC ±.01
	2 PLC ±.01
	3 PLC ±.01
	4 PLC ±.005
	5 PLC ±.005
	6 PLC ±.002
	ANGLES ±.020
	FINISH

LOC	DIST	REVISIONS			
P	LTN	DESCRIPTION	DATE	DMN	APVD
-	-	SEE SHEET 1	-	-	-

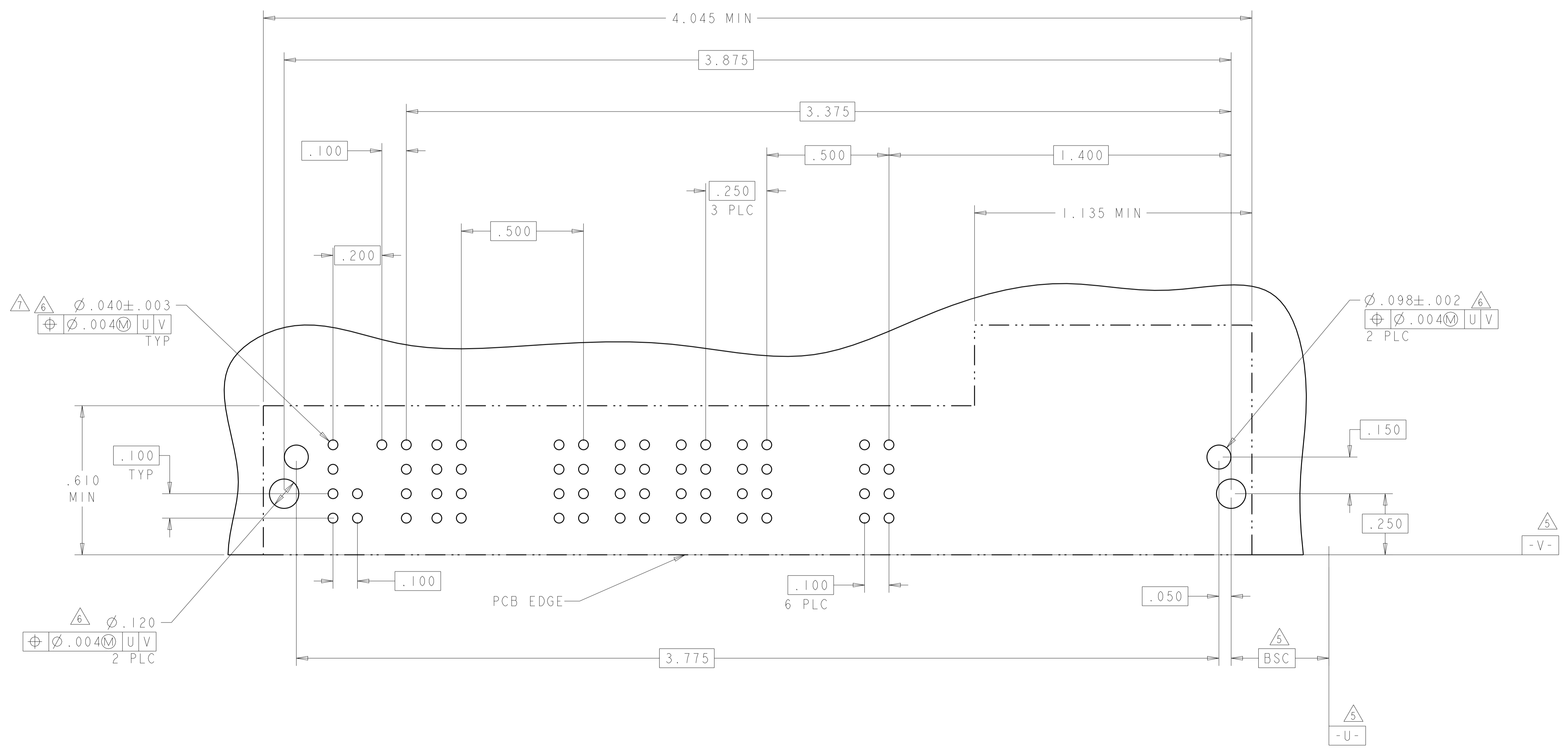
PART NUMBER	ROWS	SIGNAL				POWER												
		4	3	2	1	PI2	PI1	PI0	P9	P8	P7	P6	P5	P4	P3	P2	PI1	
6450874-6	D C B A	H	H	H														
		G	F	F														
		E	E	E	RM	RM	RM	RM	RM	RM	RM	RM	RM	RM	STD	STD		

3ACP + 9P + 16S

NO CONTACTS LOADED

Δ .250 8 PLC

Δ .300 3 PLC

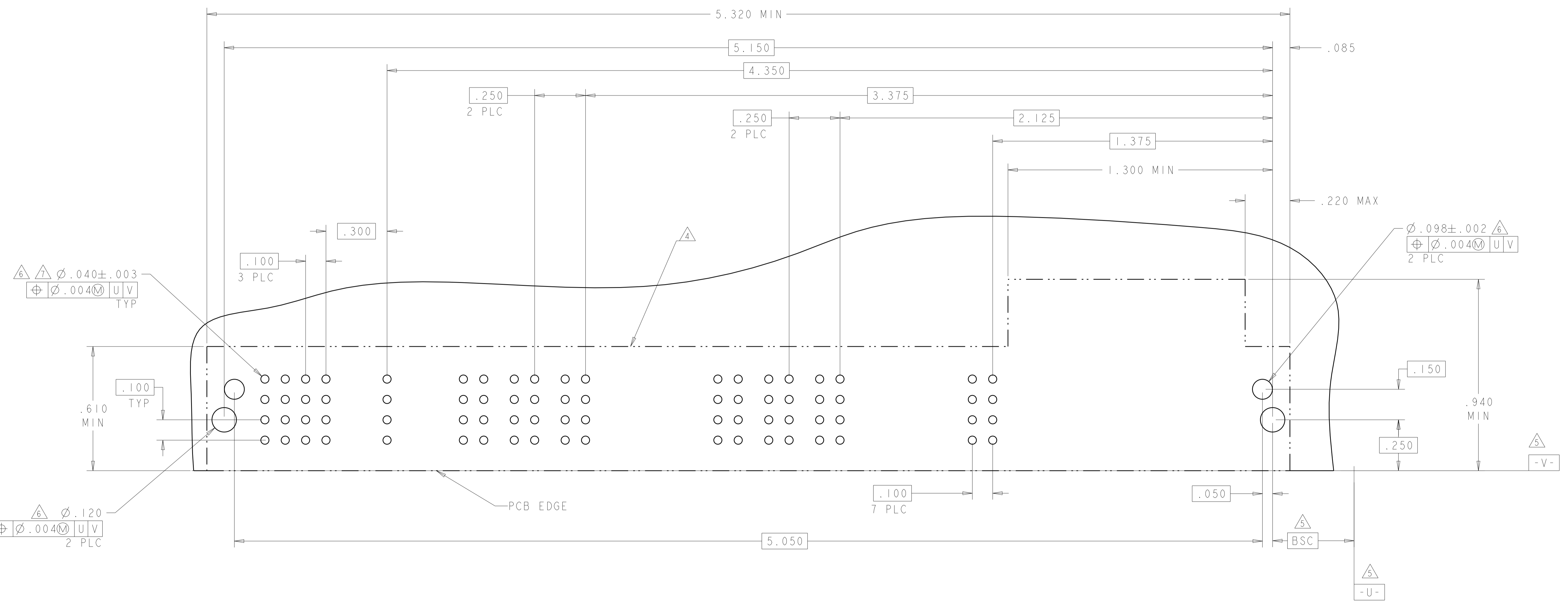


THIS DRAWING IS A CONTROLLED DOCUMENT.		DMN C. ZHOU CHK S. ZHAO	02JUN2009 02JUN2009	STE TE Connectivity												
DIMENSIONS: INCHES(MM)		TOLERANCES UNLESS OTHERWISE SPECIFIED:														
<table border="1"> <tr><td>0 PLC</td><td>±</td></tr> <tr><td>1 PLC</td><td>±.01</td></tr> <tr><td>2 PLC</td><td>±.01</td></tr> <tr><td>3 PLC</td><td>±.005</td></tr> <tr><td>4 PLC</td><td>±.0020</td></tr> <tr><td>ANGLES</td><td>±.020</td></tr> </table>		0 PLC	±	1 PLC	±.01	2 PLC	±.01	3 PLC	±.005	4 PLC	±.0020	ANGLES	±.020	APVD S. YAO		NAME RIGHT ANGLE RECEPTACLE ASSEMBLY
0 PLC	±															
1 PLC	±.01															
2 PLC	±.01															
3 PLC	±.005															
4 PLC	±.0020															
ANGLES	±.020															
MATERIAL		PRODUCT SPEC 108-2292		A/C PASS THRU W/SLIM GUIDES												
FINISH		APPLICATION SPEC 114-13038		MULTI-BEAM XLE												
CUSTOMER DRAWING		WEIGHT		SIZE A100779												
SCALE 3:1		SHEET 6 OF 8		REV B4												

LOC		DIST		REVISIONS			
P	LTN	DESCRIPTION	DATE	DMN	APVD		
-	-	SEE SHEET 1	-	-	-		

PART NUMBER	ROWS	SIGNAL							POWER														
		7	6	5	4	3	2	1	P15	P14	P13	P12	P11	P10	P9	P8	P7	P6	P5	P4	P3	P2	P1
6450874-7	D	H	H	H	H		H																
	C	G	G	G	G		G																
	B	F	F	F	F		F																
	A	E	E	E	E		E																
3ACP + 12P + 28S		[HD]							RM	RM	RM								RA	STD	STD	STD	[HD]

NO CONTACTS LOADED
 NO CONTACTS LOADED
 .250 11 PLC
 .375 3 PLC

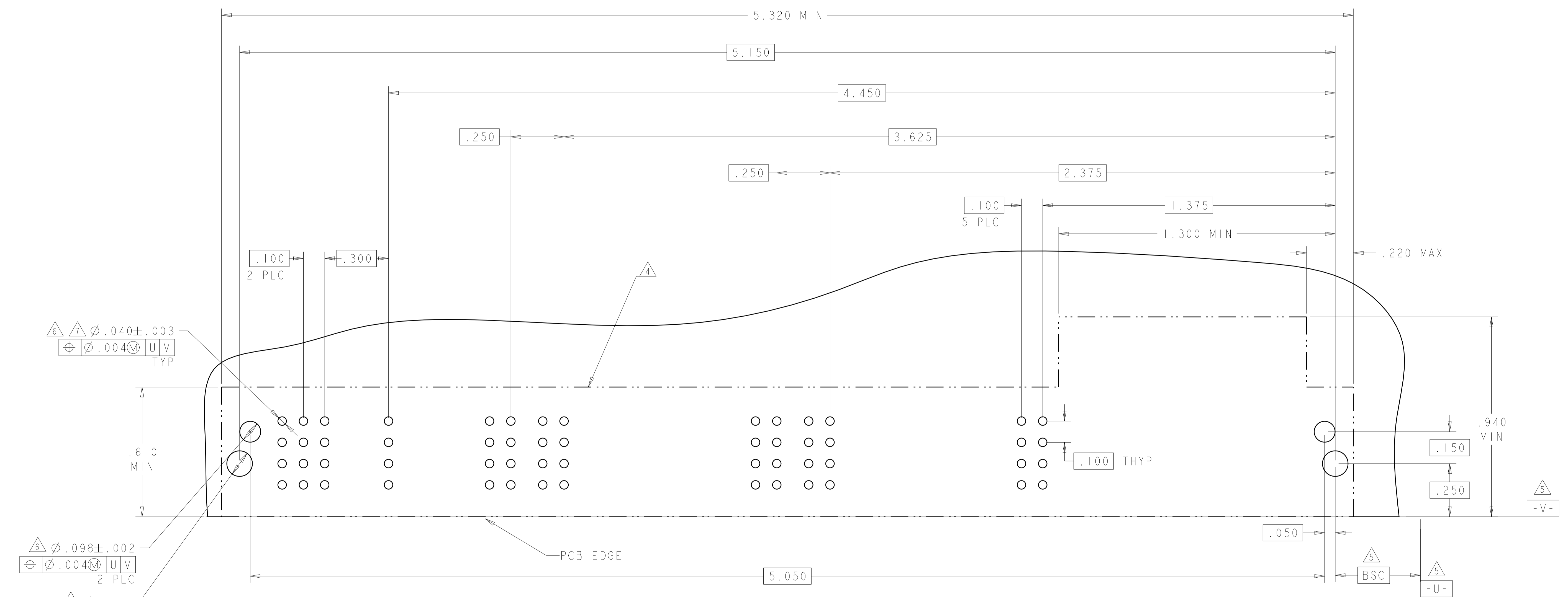


THIS DRAWING IS A CONTROLLED DOCUMENT.		DMN C. ZHOU 02JUN2009	TE Connectivity
DIMENSIONS: INCHES(MM)		CHK S. ZHAO 02JUN2009	
TOLERANCES UNLESS OTHERWISE SPECIFIED:		APVD S. YAO	NAME RIGHT ANGLE RECEPTACLE ASSEMBLY
0 PLC ± .01		PRODUCT SPEC	A/C PASS THRU W/SLIM GUIDES
1 PLC ± .01		108-2292	MULTI-BEAM XLE
2 PLC ± .01		APPLICATION SPEC	SIZE A100779
3 PLC ± .005		114-13038	RESTRICTED TO
4 PLC ± .0020		WEIGHT	C=6450874
ANGLES ± .020		CUSTOMER DRAWING	SCALE 3:1 SHEET 7 OF 8 REV B4
FINISH			

LOC	DIST	REVISIONS			
P	LTM	DESCRIPTION	DATE	DMN	APVD
-	-	SEE SHEET 1	-	-	-

PART NUMBER	ROWS	SIGNAL							POWER														
		7	6	5	4	3	2	1	P15	P14	P13	P12	P11	P10	P9	P8	P7	P6	P5	P4	P3	P2	P1
6450874-8	D C B A	H	H	H			H																
		G	G	G			G																
		F	F	F			F																
		E	E	E			E																
3ACP + 12P + 28S																							

NO CONTACTS LOADED



- Δ $\phi .040 \pm .003$
 $\oplus \phi .004 \text{ (M)}$ U V
 TYP
- Δ $\phi .098 \pm .002$
 $\oplus \phi .004 \text{ (M)}$ U V
 2 PLC
- Δ $\phi .120$
 $\oplus \phi .004 \text{ (M)}$ U V
 2 PLC

THIS DRAWING IS A CONTROLLED DOCUMENT.

DIMENSIONS: INCHES(MM)	TOLERANCES UNLESS OTHERWISE SPECIFIED:	DMN C. ZHOU CHK S. ZHAO APVD S. YAO	02JUN2009 02JUN2009	TE Connectivity
0 PLC ± 1 PLC ±.01 2 PLC ±.01 3 PLC ±.005 4 PLC ±.0020 ANGLES ±.020	FINISH	NAME RIGHT ANGLE RECEPTACLE ASSEMBLY A/C PASS THRU W/SLIM GUIDES MULTI-BEAM XLE	PRODUCT SPEC 108-2292 APPLICATION SPEC 114-13038	
MATERIAL		SIZE A100779	CAGE CODE C=6450874	RESTRICTED TO
		WEIGHT		SCALE 3:1 SHEET 8 OF 8 REV B4

CUSTOMER DRAWING