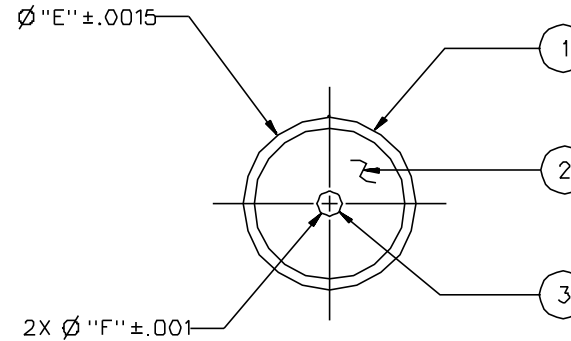
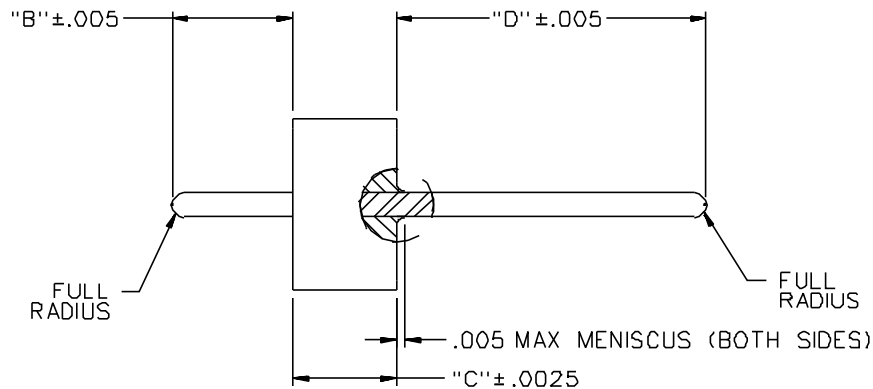


PART NUMBER	ITEM ① OUTER RING	ITEM ② INSULATOR	ITEM ③ PIN	"B"	"C"	"D"	"E"	"F"
142-1000-001	KOVAR GOLD PL .00005 MIN OVER NICKEL PL .000005 MIN	GLASS, CORNING 7052 OR EQUIVALENT	KOVAR GOLD PL .00005 MIN OVER NICKEL PL .000005 MIN	.070	.0625	.180	.0985	.012
142-1000-002	KOVAR GOLD PL .00005 MIN OVER NICKEL PL .000005 MIN	GLASS, CORNING 7070 OR EQUIVALENT	KOVAR GOLD PL .00005 MIN OVER NICKEL PL .000005 MIN	.072	.0625	.180	.0985	.015
142-1000-003	KOVAR GOLD PL .00005 MIN OVER NICKEL PL .000005 MIN	GLASS, CORNING 7070 OR EQUIVALENT	KOVAR GOLD PL .00005 MIN OVER NICKEL PL .000005 MIN	.072	.0600	.180	.1100	.018
142-1000-004	KOVAR GOLD PL .00005 MIN OVER NICKEL PL .000005 MIN	GLASS, CORNING 7052 OR EQUIVALENT	KOVAR GOLD PL .00005 MIN OVER NICKEL PL .000005 MIN	.070	.0600	.203	.1580	.020
142-1000-005	KOVAR GOLD PL .00005 MIN OVER NICKEL PL .000005 MIN	GLASS, CORNING 7070 OR EQUIVALENT	KOVAR GOLD PL .00005 MIN OVER NICKEL PL .000005 MIN	.097	.0600	.168	.1100	.018

DRAWING NO.	
B - 142-1000-001/010	
0	REVISIONS
ENGINEERING RELEASE	
I	4-17-95 R J R H K B ECN 43400
ADDED: 142-1000-005	
***** * REVISION NUMBER FOLLOWED BY AN ALPHA * * CHARACTER INDICATES DRAWING CLARIFICATION OR PART NUMBER ADDITION ONLY * *****	
Ia	3-4-02 R J B 3-13-02 ECN 48283



NOTES:

1. SPECIFICATIONS:
ELECTRICAL:

IMPEDANCE: 50 OHMS NOMINAL
 FREQUENCY RANGE: DC TO 26.5 GHZ
 VSWR: DEPENDANT ON APPLICATION
 WORKING VOLTAGE: 250 VRMS MAX AT SEA LEVEL
 DIELECTRIC WITHSTANDING VOLTAGE: 500 VRMS AT SEA LEVEL
 INSULATION RESISTANCE: 5000 MEGOHM MIN
 INSERTION LOSS: .015 F MAX (F IN GHZ)

ENVIRONMENTAL:


HERMETICITY: 1×10^{-8} cc/sec AT ONE ATMOSPHERE
 SOLDERABILITY: MIL-STD-202, METHOD 209
 OPERATING TEMPERATURE: -55 DEG C TO +165 DEG C

CUSTOMER DRAWING

THIS DRAWING TO BE INTERPRETED
PER ANSII 14.5M - 1982

"μ STATION"

COMPANY CONFIDENTIAL

TOLERANCE UNLESS OTHERWISE SPECIFIED		DRAWN BY	DATE	 Cinch Connectivity Solutions 299 Johnson Ave. Ste. 100 Waseca, MN 56093 1-800-247-8256
DECIMALS	mm	JRK	4-3-95	
.XX		CHECKED BY	DATE	TITLE
.XXX		JRK	4-17-95	
MATL		APPROVED BY	DATE	50 OHM FEEDTHRU, HERMETIC SEAL, MICROWAVE PERFORMANCE
		TAK	4-18-95	
FINISH		APPROVED BY	DATE	CODE NO.
		RJB	4-19-95	DRAWING NO.
		RELEASE DATE	4-20-95	B - 142-1000-001/010
				SCALE NONE U/M INCH SHEET 2 OF 2