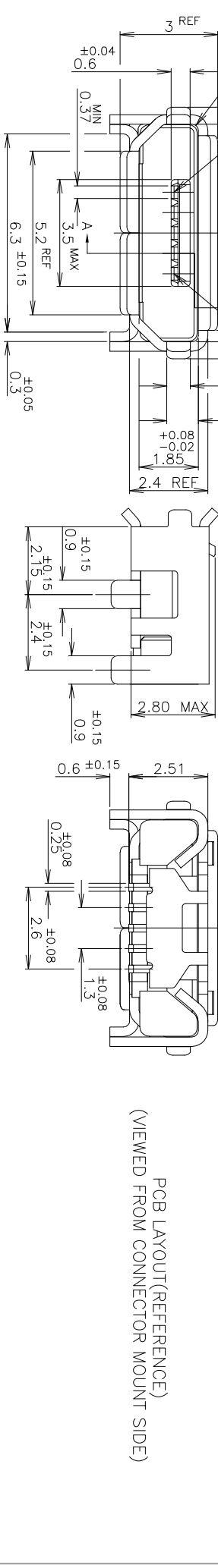
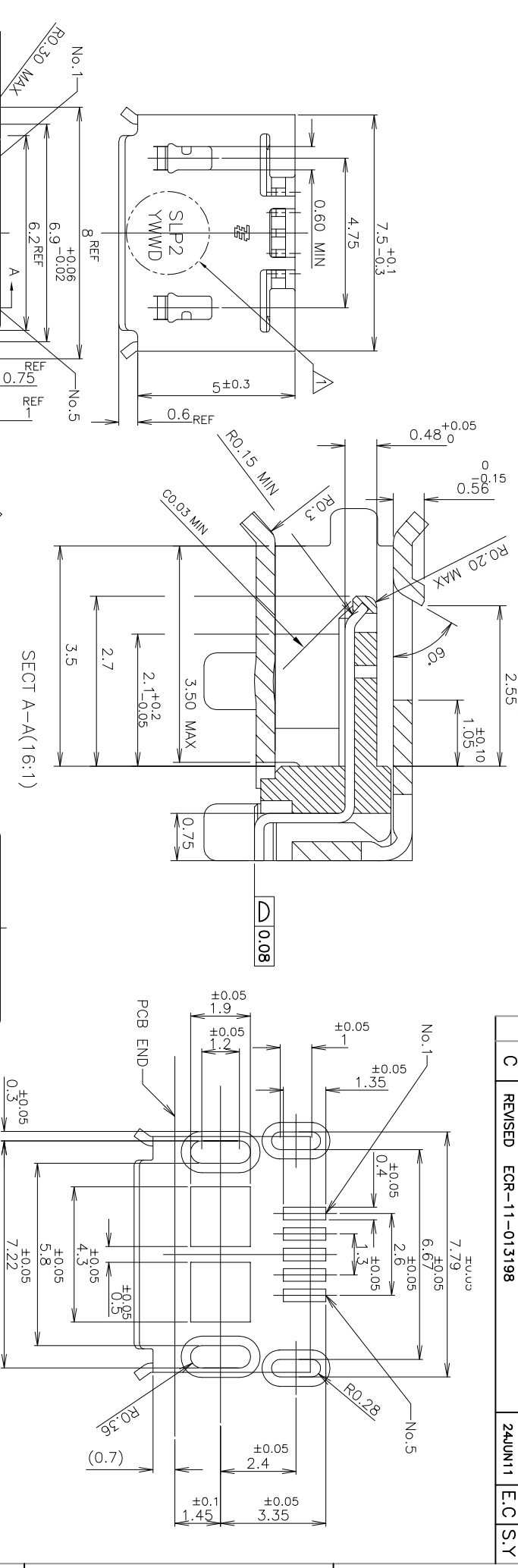


REV	DATE	DMN	APVD
1	24JUN11	E.C	S.Y

REV	DATE	DMN	APVD
1	24JUN11	E.C	S.Y

REV	DATE	DMN	APVD
1	24JUN11	E.C	S.Y



PCB LAYOUT (REFERENCE)
(VIEWED FROM CONNECTOR MOUNT SIDE)

REV	DATE	DMN	APVD
1	24JUN11	E.C	S.Y

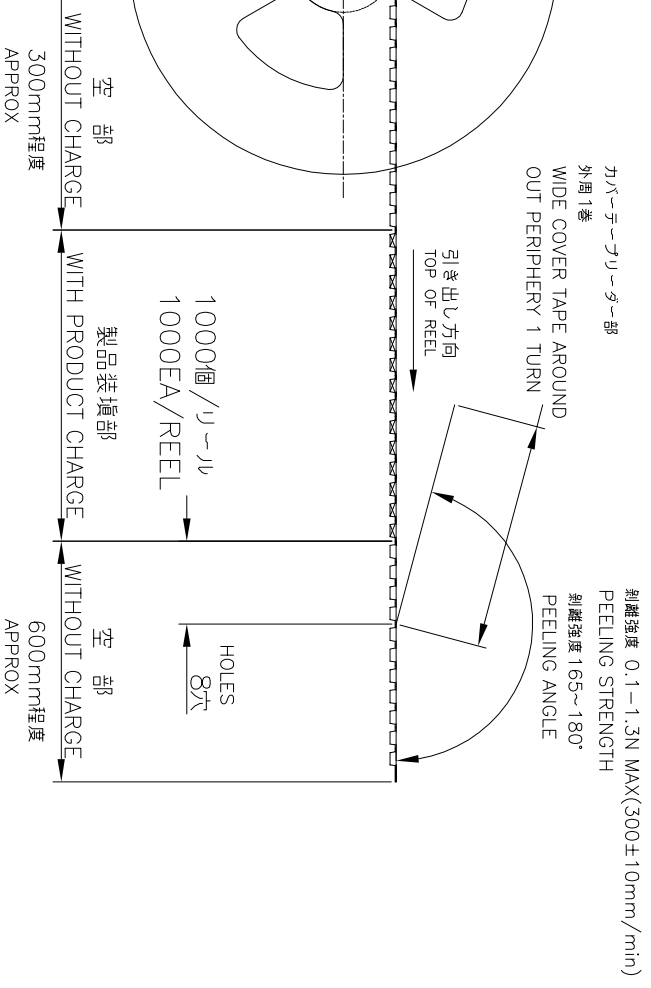
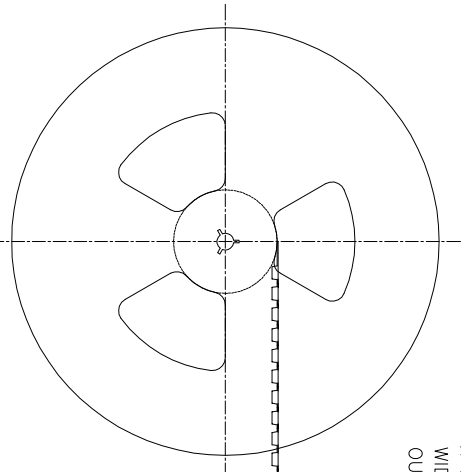
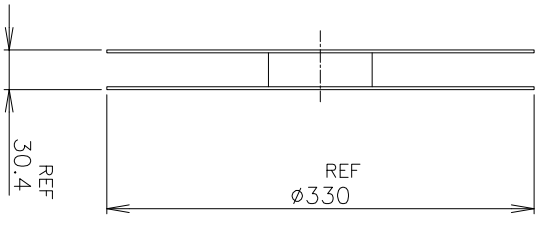
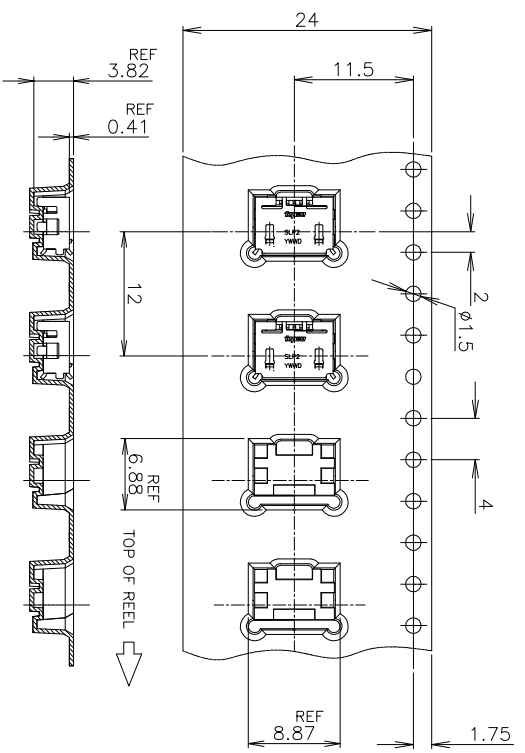
REV	DATE	DMN	APVD
1	24JUN11	E.C	S.Y

REV	DATE	DMN	APVD
1	24JUN11	E.C	S.Y

REV	DATE	DMN	APVD
1	24JUN11	E.C	S.Y

REV	DATE	DMN	APRD
1	-	-	-

REV	DATE	DMN	APRD
1	-	-	-



カバーテープリターナ
 外周1巻
 WIDE COVER TAPE AROUND
 OUT PERIPHERY 1 TURN
 剥離強度 0.1-1.3N MAX(300±10mm/min)
 PEELING STRENGTH
 剥離強度 165~180°
 PEELING ANGLE

THIS DRAWING IS A CONTROLLED DOCUMENT.

DMN	DMN	NAME	Tyco Electronics	Tyco Electronics AMP K.K.
CHK	CHK	NAME	Kawasaki, Japan	
APRD	APRD	NAME		

PRODUCT SPEC	製品規格	SIZE	A3	DATE	00779	DRAWING NO	2040002	RESTRICTED TO	
APPLICATION SPEC	取付適用規格	SCALE	2:1	SHEET	2	OF	2	REV	C

DIMENSIONS:	単位: 特	TOLERANCES UNLESS OTHERWISE SPECIFIED:	一般公差
0 PIC	±	1 PIC	±
2 PIC	±	3 PIC	±
4 PIC	±	ANGLES	±
FINISH 在上			
MATERIAL 材料			